

PARAMETROS

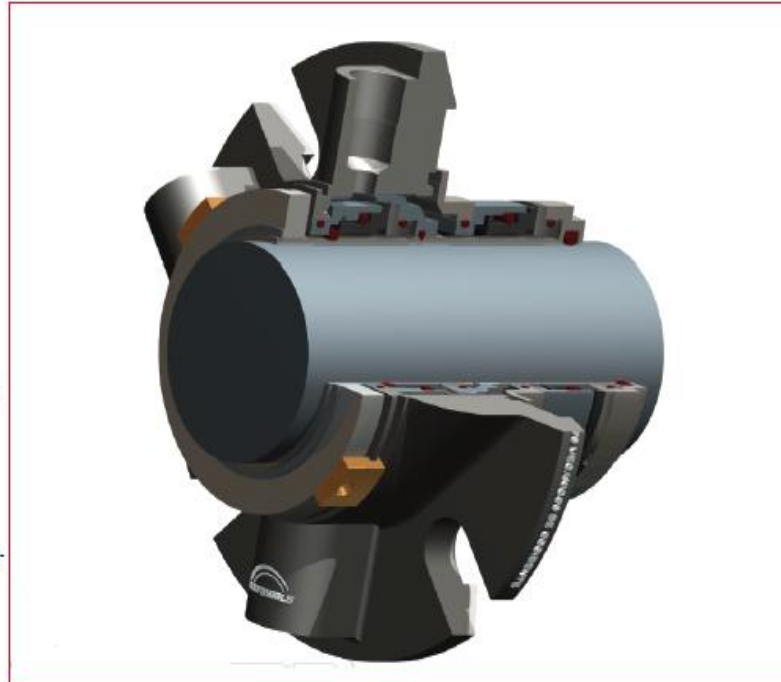
PRESION: Superior a 75mm / 3.000" 21 bar g/300 psig
75mm / 3.000" y sobre 13 bar g/200 psig max.
TEMPERATURA: -30°C a 205°C / -20°F a 400°F
VELOCIDAD: Superior a 25 m/s/5000 fpm
MOVIMIENTO AXIAL PERMISIBLE: 0.13mm / 0.005"
DESALINEACION PERMISIBLE: 0.05mm / 0.002"

CARACTERISTICAS

- Cabezas de sello intercambiable
Resortes de olas inatascables
Diseño de anillo primario optimo para productos agresivos
- Diseño sin opresores de arrastre
Diseño de entrada y salida tangencial para facilitar el flujo.

(dependiendo del elastomero)

Marcas registradas: Hastelloy-Haynes / Viton-DuPont / Kalrez-DiPont / AFLAS - ASHAI / Chemraz - GreenTweed



DESCRIPCION

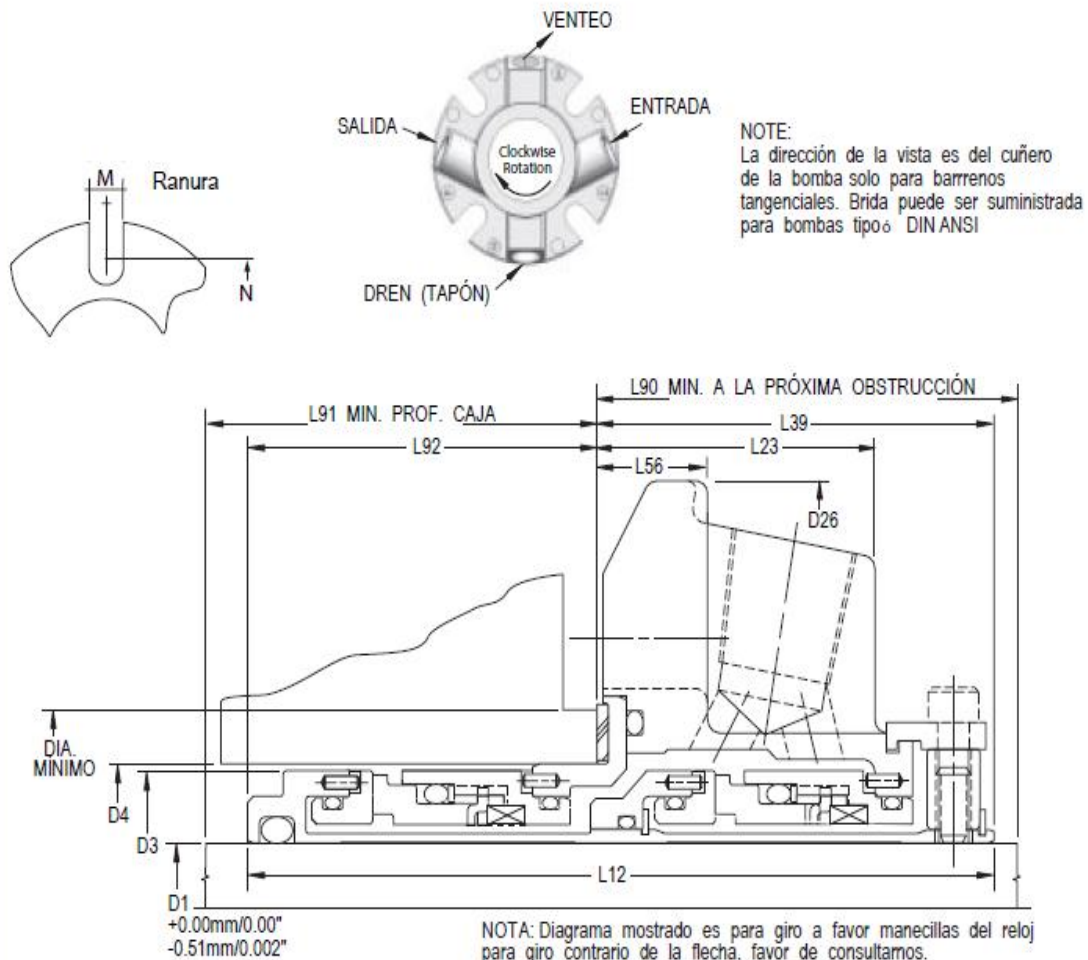
El cartucho 562-1 es un diseño modular, ya que con una sola brida de montaje se pueden intercambiar sellos con diferentes diseños como son: diseño de fuelles metalicos, de fuelles elastomericos y o'ring de empuje.

este diseño incorpora o'rings como empaque secundario en la parte dinamica, lo que asegura el sellado.

Las caras de contactos tienen balanceos hidraulicos en el diametro interior y en el diametro exterior, lo que permite una gran variedad de arreglos como lo son doble y tandem con sus variables de posicion de las caras de contacto.

La presurizacion del sello exterior evita sujetar los componentes a las altas tensiones que se expone y, permite un enfriamiento entre entre caras en instalacion vertical, lo que permite purgar los aires atrapados.

DIMENSIONES DE INSTALACION





Tipo 562

Tamaño Sello/D1 (Pulgadas)	D3	D4		D26	L12	L23	L39	L56	L90	L91	L92	M	N
		Min	Max										
1.000	1.564	1.625	1.889	4.000	3.705	1.353	1.954	0.531	2.000	1.876	1.751	0.525	2.805
1.125	1.689	1.750	2.015	4.125	3.851	1.446	2.062	0.531	2.125	1.914	1.789	0.525	2.933
1.250	1.812	1.875	2.294	4.250	3.851	1.446	2.062	0.531	2.125	1.914	1.789	0.525	3.213
1.375	1.939	2.000	2.421	4.375	3.851	1.446	2.062	0.531	2.125	1.914	1.789	0.525	3.338
1.500	2.187	2.250	2.680	4.875	3.995	1.487	2.125	0.593	2.187	1.995	1.870	0.525	3.599
1.625	2.312	2.375	2.812	5.000	3.995	1.487	2.125	0.593	2.187	1.995	1.870	0.562	3.766
1.750	2.406	2.480	2.918	5.250	3.995	1.487	2.125	0.593	2.187	1.995	1.870	0.562	3.875
1.875	2.549	2.625	2.918	5.250	3.995	1.487	2.125	0.593	2.187	1.995	1.870	0.562	3.875
2.000	2.673	2.750	3.015	5.500	4.355	1.601	2.312	1.063	2.375	2.167	2.042	0.562	4.000
2.125	2.798	2.875	3.360	5.859	4.355	1.601	2.312	0.593	2.375	2.167	2.042	0.687	4.469
2.250	2.923	3.000	3.485	6.500	4.355	1.601	2.312	0.593	2.375	2.167	2.042	0.687	4.566
2.375	3.048	3.125	3.610	6.500	4.545	1.717	2.466	0.625	2.528	2.204	2.079	0.687	4.719
2.500	3.301	3.375	3.891	6.750	4.545	1.717	2.563	0.625	2.625	2.107	1.982	0.687	5.000
2.625	3.551	3.625	4.062	6.750	4.594	1.625	2.500	0.625	2.562	2.219	2.094	0.687	5.170
2.750	3.551	3.625	4.062	6.750	4.594	1.625	2.500	0.625	2.562	2.219	2.094	0.687	5.170
2.875	3.614	3.750	4.186	7.000	4.594	1.725	2.500	0.625	2.562	2.219	2.094	0.687	5.312
3.000	3.864	4.000	4.469	7.750	4.594	1.787	2.562	0.685	2.625	2.157	2.032	0.812	5.720
3.125	4.022	4.125	4.600	7.875	4.687	1.593	2.562	*	2.687	2.250	2.125	0.812	5.845
3.250	4.022	4.134	4.600	7.437	4.687	1.593	2.510	*	2.635	2.302	2.177	0.812	5.845
3.375	4.246	4.375	4.850	8.125	4.687	1.593	2.562	*	2.687	2.250	2.125	0.812	6.095
3.500	4.371	4.500	4.975	8.250	4.687	1.593	2.562	*	2.687	2.250	2.125	0.812	6.220
3.625	4.500	4.625	5.100	8.375	4.687	1.593	2.562	*	2.687	2.250	2.125	0.687	6.250
3.750	4.625	4.724	5.199	8.750	4.687	1.593	2.562	*	2.687	2.250	2.125	0.687	6.770
3.875	4.750	4.875	5.375	8.750	4.687	1.593	2.562	*	2.687	2.250	2.125	0.812	6.636
4.000	4.875	5.000	5.500	9.000	4.687	1.593	2.562	*	2.687	2.250	2.125	0.812	6.761
4.125	5.000	5.125	5.625	9.000	4.687	1.593	2.562	*	2.687	2.250	2.125	0.812	6.886
4.250	5.125	5.250	5.750	9.250	4.687	1.593	2.562	*	2.687	2.250	2.125	0.812	7.011
4.500	5.375	5.500	6.000	9.500	4.687	1.593	2.562	*	2.687	2.250	2.125	0.812	7.261
4.750	5.625	5.750	6.313	10.375	4.687	1.593	2.562	*	2.687	2.250	2.125	0.812	7.574
5.000	6.125	6.760	7.260	12.000	5.515	1.749	3.043	*	3.168	2.598	2.473	0.812	10.000
5.250	6.375	7.010	7.510	12.250	5.515	1.749	3.043	*	3.168	2.598	2.473	0.812	10.250
5.500	6.625	7.500	8.000	12.687	5.515	1.749	3.043	*	3.168	2.598	2.473	0.937	10.500

Tamaño Sello/D1 (Pulgadas.)	D3	D4		D26	L12	L23	L39	L56	L90	L91	L92	M	N	Min.
		Min	ax											Turn Diam.
1.375	1.939	2.875	3.023	5.375	3.851	1.446	2.062	0.625	2.125	1.914	1.789	0.562	4.062	3.268
1.750	2.406	3.500	3.925	6.500	3.995	1.487	2.125	0.656	2.187	1.995	1.870	0.687	5.093	3.885
1.875	2.549	3.625	3.734	6.500	3.995	1.487	2.125	0.656	2.187	1.995	1.870	0.687	5.093	4.006
2.125	2.798	3.875	4.250	7.156	4.355	1.570	2.282	0.749	2.407	2.198	2.073	0.687	5.687	4.264
2.500	3.301	4.750	4.875	8.000	4.545	1.697	2.407	0.656	2.532	2.263	2.138	0.687	6.062	5.139
2.625	3.551	4.625	4.740	8.000	4.594	1.788	2.500	0.749	2.562	2.219	2.094	0.687	6.062	5.000
2.750	3.551	4.750	4.875	8.000	4.594	1.697	2.407	0.656	2.532	2.312	2.187	0.687	6.062	5.139



Tipo 562

Tamaño Sello /D1 (mm)	Code	D4													
		D3	Min.	Max.	D26	L12	L23	L39	L56	L90	L91	L92	M	N	
24	0240	39.7	41.3	48.0	101.6	94.1	34.4	49.6	13.5	50.8	47.7	44.5	13.3	71.2	
25	0250	39.7	41.3	48.0	101.6	94.1	34.4	49.6	13.5	50.8	47.7	44.5	13.3	71.2	
28	0280	42.9	44.5	51.2	104.8	97.8	36.7	52.4	13.5	54.0	48.6	45.4	13.3	74.5	
30	0300	44.5	46.1	56.5	108.0	97.8	36.7	52.4	13.5	54.0	48.6	45.4	13.3	79.9	
32	0320	46.0	47.6	58.3	108.0	97.8	36.7	52.4	13.5	54.0	48.6	45.4	13.3	81.6	
33	0330	49.3	50.8	61.5	111.1	97.8	36.7	52.4	13.5	54.0	48.6	45.4	13.3	84.8	
35	0350	49.3	50.8	61.5	111.1	97.8	36.7	52.4	13.5	54.0	48.6	45.4	13.3	84.8	
38	0380	55.5	57.2	68.1	123.8	101.5	37.8	54.0	15.1	55.5	50.7	47.5	13.3	91.4	
40	0400	58.7	60.3	71.4	127.0	101.5	37.8	54.0	15.1	55.5	50.7	47.5	14.3	95.7	
43	0430	61.1	63.0	74.1	133.4	101.5	37.8	54.0	15.1	55.5	50.7	47.5	14.3	98.4	
45	0450	61.1	63.0	74.1	133.4	101.5	37.8	54.0	15.1	55.5	50.7	47.5	14.3	98.4	
48	0480	64.7	66.7	74.1	133.4	101.5	37.8	54.0	15.1	55.5	50.7	47.5	14.3	98.4	
50	0500	67.9	70.0	76.6	139.7	110.6	40.7	58.7	27.0	60.3	55.0	51.9	14.3	101.6	
53	0530	71.1	73.0	85.3	148.8	110.6	40.7	58.7	15.1	60.3	55.0	51.9	17.4	113.5	
55	0550	72.9	75.0	85.3	148.8	110.6	40.7	58.7	15.1	60.3	55.0	51.9	17.4	113.5	
58	0580	74.2	76.2	88.5	165.1	110.6	40.7	58.7	15.1	60.3	55.0	51.9	17.4	116.0	
60	0600	77.4	79.4	91.7	165.1	115.4	43.6	62.6	15.9	64.2	56.0	52.8	17.4	119.9	
63	0630	83.8	85.7	98.8	171.5	115.4	43.6	65.1	15.9	66.7	53.5	50.3	17.4	127.0	
65	0650	83.8	85.7	98.8	171.5	115.4	43.6	65.1	15.9	66.7	53.5	50.3	17.4	127.0	
68	0680	90.2	92.1	103.2	171.5	116.7	41.3	63.5	15.9	65.1	56.4	53.2	17.4	131.3	
70	0700	90.2	92.1	103.2	171.5	116.7	41.3	63.5	15.9	65.1	56.4	53.2	17.4	131.3	
75	0750	98.1	101.6	113.5	196.9	116.7	45.4	65.1	17.4	66.7	54.8	51.6	20.6	145.3	
80	0800	102.2	105.0	116.8	188.9	119.0	40.5	63.8	*	66.9	58.5	55.3	20.6	148.5	
85	0850	107.9	111.1	123.2	206.4	119.0	40.5	65.1	*	68.3	57.2	54.0	20.6	154.8	
90	0900	114.3	117.5	129.5	212.7	119.0	40.5	65.1	*	68.3	57.2	54.0	17.5	158.6	
95	0950	117.5	120.0	132.1	222.3	119.0	40.5	65.1	*	68.3	57.2	54.0	17.5	172.0	
100	1000	123.8	127.0	139.7	228.6	119.0	40.5	65.1	*	68.3	57.2	54.0	20.6	171.7	
105	1050	127.0	130.2	142.9	228.6	119.0	40.5	65.1	*	68.3	57.2	54.0	20.6	174.9	
110	1100	136.5	139.7	152.4	241.3	119.0	40.5	65.1	*	68.3	57.2	54.0	20.6	184.4	
115	1150	136.5	139.7	152.4	241.3	119.0	40.5	65.1	*	68.3	57.2	54.0	20.6	184.4	
120	1200	142.9	146.1	160.4	263.5	119.0	40.5	65.1	*	68.3	57.2	54.0	20.6	192.4	
125	1250	155.6	171.7	184.4	304.8	140.1	44.4	77.3	*	80.5	66.0	62.8	20.6	254.0	
130	1300	161.9	178.1	190.8	311.2	140.1	44.4	77.3	*	80.5	66.0	62.8	20.6	260.4	
135	1350	168.3	190.5	203.2	322.3	140.1	44.4	77.3	*	80.5	66.0	62.8	20.8	266.7	
140	1400	168.3	190.5	203.2	322.3	140.1	44.4	77.3	*	80.5	66.0	62.8	20.8	266.7	